

DH2 60/70/90

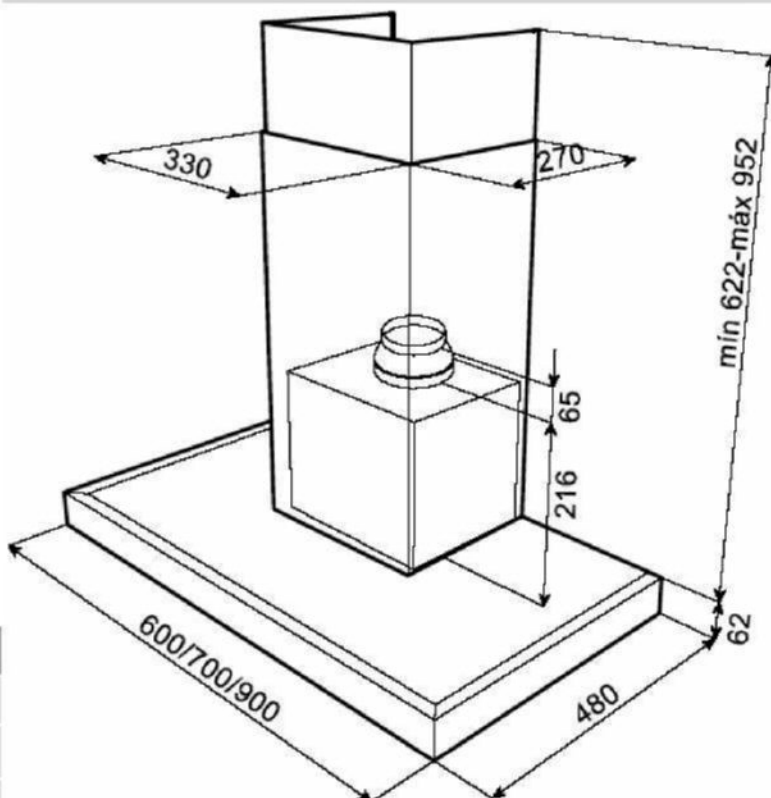


CHARACTERISTICS

- Backlit electronic control with display
- Upper Body of Reinforced Black Glass
- Easy to clean inside panel
- Conventional extraction
- 3 speeds + Intensive
- Stop delay timer
- 2 X 20W halogen lamps
- Exhaust Capacity, test conditions: 1200m³/h
- Exhaust Capacity, free outlet: 880m³/h
- Exhaust Capacity, UNE EN 61591: 650 m³/h
- Suitable for kitchens of up to 44m²***
- Aluminum filters
- Double turbine motor
- Reduction 150/120mm included
- European plug included
- Optional recirculation mode (SET 1/N)

PRODUCTION:

March 2010



| | TEKA CODE | EAN CODE |
|-------------|-----------|---------------|
| DH2 60 Inox | 40484100 | 8421152074985 |
| DH2 70 Inox | 40484101 | 8421152074992 |
| DH2 90 Inox | 40484102 | 8421152075005 |

* Extraction Capacity according UNE-EN-61591at 5Pa

** Sound level measured according UNE-EN-60704-2-13

***Recommendation based on 7 air renewals/day, kitchen with 2.5m height, and correct hood installation