

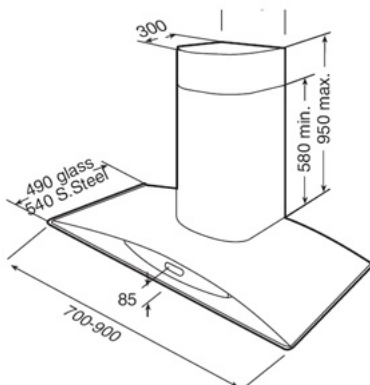
ND Alada 90 / 70



CHARACTERISTICS

- . Chimney hood
- . Wall concept
- . Electronic control panel
- . Glass or stainless steel wing
- . Double turbine motor
- . Exhaust capacities; maximum in test conditions: 1,200 m³/h, free outlet: 880 m³/h, UNE-EN-61591: 780 m³/h
- . Recommended for kitchens up to 44 m²
- . 3 speeds + 1 intensive
- . Halogen lamps
- . Stop delay timer
- . Selected speed illuminated led
- . Decorative metal filters
- . Easy-clean inside panel
- . Stainless steel
- . Sound level (UNEEN 60704-2-13): 45 dBA
- . Optional: recirculation kit

TECHNICAL DRAWING



Electric Characteristics

Power supply (V) 220-240 / 50 Hz	•
Power supply (V) 127 / 60 Hz	-
Light power (W)	2 x 20
Motor power (W)	250
Maximum power (W)	290
Air outlet (ø mm)	150
Reduction outlet (ø 150 / ø 120)	•
Optional recirculation kit	•

Capacity and sound levels

Exhaust capacity, test conditions (m ³ /h)	1200
Exhaust capacity, free outlet (m ³ /h)	880
Exhaust capacity, UNE EN 61591 (m ³ /h)	780
Sound power level dBA UNE EN 60704-2-13	59
Sound level (re 1pw UNE EN 60704-2-13) dB	45
Maximum recommended kitchen size (m ²)	44

Control panel

Touch control	-
Electronic	•
Push button	-
Mechanical slider	-
Mechanical inswing	-

Features

Number of motors	1
Double turbine motor	•
Armoured motor	•
Number of speeds	3+1
Stop delay timer	•
Easy-clean inside panel	•
Decorative filters	•
Metal filters	•
Operating pilot light	-
Filter saturation indicator	-
Humidity detector	-
Perimetric extraction system	-