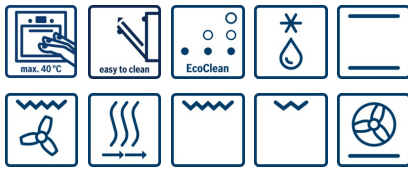


Serie | 8 Ovens
HBC33B550W
Built-in oven

A


The powerful compact oven: you can also enjoy great cooking convenience in a smaller space.

- **Energy efficiency A:** best baking results with low energy consumption.
- **3D Hotair Plus:** perfect results thanks to optimal distribution of heat on up to 3 levels simultaneously.
- **Flap door:** for especially convenient opening and closing of the oven door.

Technical data

Color / Material Front :	Stainless steel
Built-in / Free-standing :	Built-in
Integrated Cleaning system :	No
Required niche size for installation (HxWxD) :	450 x 560 x 550
Dimensions of the product (mm) :	454 x 595 x 550
Control Panel Material :	Stainless steel
Door Material :	Glass
Net weight (kg) :	29.0
Usable volume of cavity (l) :	50
Cooking method :	Bottom heat, Conventional heat, Defrost, Full width variable grill, Half width variable grill, Hot Air, Hot air grilling, Pizza setting
First cavity material :	Enamelled
Temperature control :	mechanical
Number of interior lights :	1
Approval certificates :	CE, VDE
Length electrical supply cord (cm) :	150
Interior Lights - cavity 1 :	1
Pull-out system :	Accessory
Clock function :	Alarm, Off, On
Included accessories cavity 1 :	1 x enamel baking tray, 1 x combination grid, 1 x universal pan
Broil Element Wattages Cavity 1 (kW) :	2000
Energy consumption conventional (kWh) - cavity 1 :	0.89
Energy consumption forced air convection (kWh) - cavity 1 :	0.79
Electrical connection rating (W) :	2800
Current (A) :	16
Voltage (V) :	220-230
Frequency (Hz) :	50
Plug type :	China plug
Color / Material Front :	Stainless steel
Energy input :	Electric
Approval certificates :	CE, VDE
Required cutout/niche size for installation (in) :	x x
Dimensions of the packed product (in) :	20.47 x 25.98 x 27.16
Net weight (lbs) :	65
Gross weight (lbs) :	71
Length electrical supply cord (cm) :	150
Required niche size for installation (HxWxD) :	450 x 560 x 550
Dimensions of the product (mm) :	454 x 595 x 550
Net weight (kg) :	29.0
Gross weight (kg) :	32.0

Included accessories

- 1 x enamel baking tray
- 1 x combination grid
- 1 x universal pan


Optional accessories

- HEZ317000 : Pizza pan
- HEZ324000 : Inlaid wire shelf for multipurpose pan
- HEZ325000 : Grill tray
- HEZ327000 : Pizza stone

Serie | 8 Ovens

HBC33B550W

Built-in oven

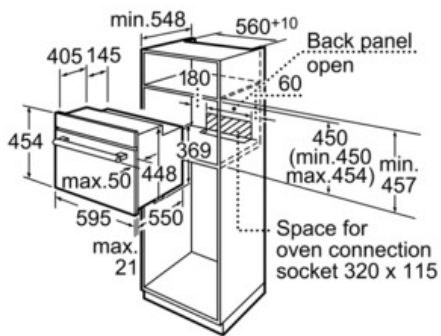
The powerful compact oven: you can also enjoy great cooking convenience in a smaller space.

-
- Multifunction oven with 8 heating methods:
 - Top and bottom heating
 - Bottom heating
 - 3D hot air plus
 - Hot air grilling
 - Grill - large area
 - Grill - small area
 - Pizza setting
 - Defrost
 - Triple glass cool touch door (40° C door temperature)
(Measured at the middle of the window at 180°C oven temperature, after 1 hour on top and bottom heat)
 - Full glass inner door
 - Grey interior enamel
 - Rear liner with EcoClean
 - Drop down grill element
 - Automatic rapid heating up
 - Electronic clock
 - Oven interior light
 - Integral cooling fan
 - Pop-out controls
 - Child lock
 - Telescopic shelf rails as optional accessory
 - Cable without plug (1.50 m)

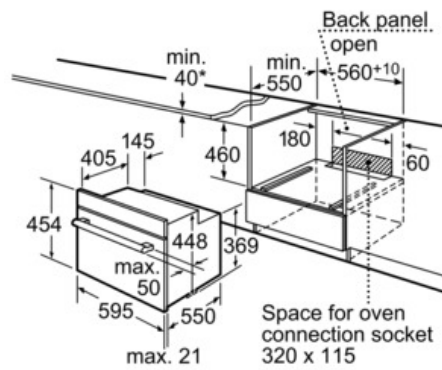
Serie | 8 Ovens

HBC33B550W

Built-in oven

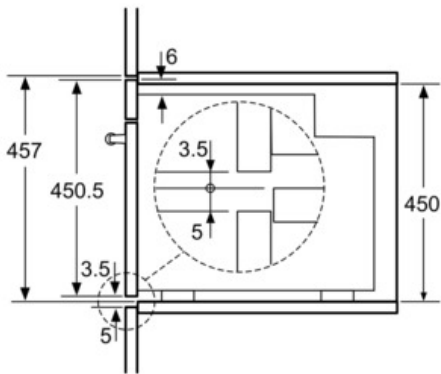


Measurements in mm



* For installation under an induction hob, min. 50

Measurements in mm



All measurements in mm