

NEW COLLECTION

ROSIÈRES 
INSTRUMENTS DE TALENT





Creative design solutions and meticulous attention to detail make each one of our Rosières built-in appliances special and unique.

We invest heavily in research and development and select only the best quality materials and beautiful design aesthetics to give you appliances that have been expertly made to blend seamlessly into your home.

Our appliances combine stylish, beautiful looks, with powerful technological performance, so whether you're cooking, chilling, cleaning dishes or doing the laundry you'll get outstanding results every time.

CONTENTS

OVENS	6
Electric Oven	
Steam Oven	
Combi Microwave Oven	
HOBS	20
Induction Hob	
Domino Hob	
HOODS	26
Décor Hood	
Chimney Hood	
Island Hood	
Telescopic Hood	
COOLING	32
Fully Integrated Fridge Freezer	
Fully Integrated Fridge	
DISHWASHERS	36
Fully Integrated Dishwasher & Compact Oven	
Fully Integrated Dishwasher	
WASHER DRYER	40
TECHNICAL SPECIFICATIONS	43



SUPER-SIZE OVEN CAVITY 76 LITRES CAPACITY

Rosières Prodigé single ovens range in size from 73-76 litres and offer an additional 40% more space than a traditional Multifunction oven but within the standard dimensions.

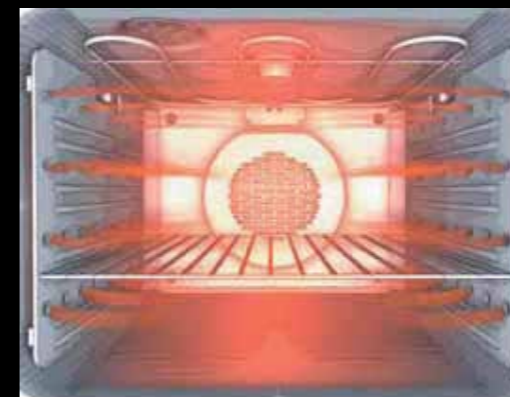
The Prodigé can be used as one large cooking zone with five shelf positions and is capable of handling up to five different recipes at any one time.



PRO SYSTEM

Inspired by professional catering technology Rosières has developed an exclusive hi-tech air circulation system that evenly distributes heat throughout the oven.

This multi jet ventilation system circulates hot air around the oven cavity via 100 vent holes located on the sides of the oven. This process guarantees consistent cooking throughout the whole cavity and reduces food moisture loss.



THE BENEFITS

Even if cooking on multiple levels, the texture and softness of the dishes can still be preserved.

Cook evenly on multiple levels.

Both flavor and nutritional properties are preserved.



ENERGY CLASS A-20%

Extra large oven capacity is synonymous with energy efficiency!

PRODIGE ovens consume 20% less energy compared to the class A standard ovens (over 65 liters). This means, your oven does not consume more than a standard oven!

Thanks to the excellent design of the oven door, 4 layers glass door at more than 5cm thickness provides an optimal insulation with exceptional performance and achieving A-20% outstanding result.



LED VISION

A unique lighting system consisting of 14 tiny LED lights located within the oven door, delivers perfect illumination and complete visibility throughout the entire cooking process.



A DOUBLE OVEN IN A SINGLE CAVITY

The super-size flexi oven offers the space and power of a professional model but with all of the functionality of four separate ovens.

Prodige can be used as one large cooking zone, while the bottom and top cavities can be used as completely separate cooking areas. The large single cavity can also be converted into a double oven by means of a fully insulated divider and with two separate fans in the top and bottom of the oven, plus independent temperature & cooking controls you can achieve the full flexibility only normally available from a double oven.

ULTRA-FLEXIBLE COOKING

- One large cooking zone with Twin cooking fans, five shelf positions.
- Two separate cooking zones with independent temperature & cooking control.



ONE OF THE TWO CAVITIES ONLY SAVES TIME AND ENERGY:

- Upper cooking zone only.



- Lower cooking zone only.



SOFT CLOSING DOOR

No more slamming door, this innovative hinge system comes with a soft closure enables you to perform with a single gesture, smooth and silent!



LCD DISPLAY TOUCH CONTROL

Prodige's electronic display allows you to choose the oven function, set the cooking time and select the temperature for each of the cooking zones, the graphics also show which of the zones is currently in use.

PYRO FUNCTION

The Pyrolytic programme is a fast, no mess, oven cleaning cycle. It works by automatically locking the oven door and activating the Pyro cycle, which heats the oven interior to 500°C burning off any grease or food, leaving behind a small deposit of ash that can be easily wiped away with a damp cloth.



FUNCTIONAL OVEN DOORS

Full glass inner door:

All Rosières ovens are equipped with full glass inner door for easy cleaning and use.

Cold door:

All the Prodige pyrolytic ovens come with a 4-layer glass oven door which is as thick as 5cm. This guarantee that it is always cool on the surface of the door.



SERVE 4

2kg Mussels	1 Onion
20cl Dry white wine	2 Shallots
10cl Double cream	Celery
15g Butter	1 Carrot
2 Egg yolks	Parsley, Thyme

Clean and drain the mussels.

Break up the parsley leaves and chop the stems and keep for later.

Peel and chop the onion and shallots and dice the carrot and the celery.

Melt the butter into a large pan add all the vegetables and cook gently for 10 minutes.

Add wine, thyme and the mussels, salt and pepper. Cover and cook for 5 minutes within which time the mussels will open their shells.

Once they are all open remove and drain into a bowl.

Place the pan back on the hob and reduce the juices separately in a bowl. Beat the egg yolks with and cream.

Add to the juices once these have been reduced by 1/3.

Mix quickly, put the mussels back into the juice ensuring they absorb all the juice.

Serve on hot plates and garnish with parsley.



Product dimension (mm): H595 x W595 x D546
Built-in dimension (mm): H590 x W560 x D560



RF98FIN PYROLYTIC MULTIFUNCTIONAL DOUBLE OVEN WITH SOFT CLOSE DOOR

- Super size oven capacity 73 litres – 5 shelf positions
- 17 Functions in total:
 - 11 in the main cavity: bottom / bottom + fans / bottom + top / bottom + top + fans / rings + fans / grill / grill + fan / grill + turnspit + fans / defrost / keep warm / pyro
 - 3 in the top cavity: ring + fan / grill / grill + fan
 - 3 in the bottom cavity: ring + fan / bottom / bottom + fan
- Energy class rating A-20%
- LED vision lighting system
- Pro-cooking – multijet lateral ventilation system
- Fits in to a standard single oven space
- Twin cooking fans & oven divider creates 2 separate cooking zones both with independent temperature and cooking time control
- 3 Pyroclean cycles Eco / Normal / Super
- Electronic temperature control from 50 to 280 °C
- LCD touch control display with icons that indicate which of the 2 zones are in use
- Rotisserie (No pre-heating is required)
- Cool touch glass door
- Safety child lock
- 24 hours delay start
- Accessories: 1 separator, 3 grids, 1 drip tray, 1 x rotisserie, 1 x teflon pastry tray
- Grill power: 2040W
- Soft closing door
- Made in France

Highlight:

Thanks to the twin cooking fans design, this enables uniform cooking on different levels with the Pro System technology, saving time and energy for an ultra-flexible cooking experience.

Price
HK\$ 19,880



73 Litre
Capacity



Twin Fans



A-20% energy
Consumption



Pro Cooking
Panels



LED Vision



Cool Touch
Door



Soft closing
door



Made in
France



RFA64FIN

PYROLYTIC MULTIFUNCTIONAL OVEN WITH SOFT CLOSE DOOR

- Super size oven capacity 73 litres – 5 shelf positions
- 10 Functions: fan + bottom / bottom + top / bottom + top + fan / fan / grill / grill + fan / grill + turnspit + fan / defrost / keep warm / pyro
- Energy class rating A-20%
- 3 Pyroclean cycles Eco / Normal / Super
- Electronic temperature control from 50 to 280 °C
- Sensitive touch control with 2 functions selection knobs
- Rotisserie (No pre-heating is required)
- Cool touch glass door
- Safety child lock
- 24 hours delay start
- Accessories: 2 grids, 1 drip tray, 1 rotisserie
- Grill power: 2040W
- Soft closing door
- Made in France

Product dimension (mm): H595 x W595 x D546
Built-in dimension (mm): H590 x W560 x D560



Price
HK\$ 13,880



73 Litre
Capacity



A-20% energy
Consumption



Cool Touch
Door



Soft closing
door



Made in
France



RF43IN

CATALYTIC MULTIFUNCTIONAL OVEN WITH PUSH PULLER

- Capacity: 53 litres
- 7 Cooking functions: bottom + top + fan / grill + fan / bottom + fan / bottom + top / grill / defrost / keep warm
- Energy class rating A
- Electronic temperature control from 50 to 280 °C
- Sensitive touch control with 2 functions selection knobs
- Double layer glass door
- Safety child lock
- 24 hours delay start
- Accessories: 2 grids, 1 drip tray
- Grill power: 2040W
- Made in Turkey

Price
HK\$ 6,280

Product dimension (mm): H590 x W596 x D540
Built-in dimension (mm): H580 x W560 x D550



LES FOURS COMPACTS

COORDINATING DESIGN

The new collection of Rosières 45cm compact ovens and Prodiges ovens are aesthetically coordinate with each other.

The unique <<Virgule>> style, Rosières' curvy trademark and the clean line are essential elements to assert one overall aesthetic for your kitchen.



STEAMING

Steam cooking is one of the healthiest cooking methods. The nutritional value, vitamins and minerals of food are preserved. In addition, the steam melts the fat from meat, ensuring healthiness of food. The new Rosières Compact Steam Oven offers healthy cooking, protects the quality and flavor of food. (RFV 460 EIX)

SENSOR COOKING

The cooking probe connects to the electronic management system of the oven, constantly monitor the heart of food. It will stop the cooking process automatically when the temperature reaches the selected value.



DEFROST BY WEIGHT OR TIME

Defrost your food is easy and quick. Simply input the weight of food to be defrosted, the programme will automatically suggest the time to defrost. Alternatively, you may set the defrosting time to suit your own schedule. (For Microwave ovens only)



STAINLESS STEEL CAVITY

With a stainless steel cavity, Rosières microwaves are extremely durable and have easy-clean interiors which make them more hygienic.

CLASS A

Environmental friendly appliance. A Class energy efficiency. (RFV460EIX)



ROAST OF CHICKEN BREAST WITH SWEET SPICE STUFFING

Serves 4

- | | |
|------------------------------|--------------------------------|
| 800g Boneless chicken breast | 2 Tablespoons of cumin powder |
| 350g Pork mince | 2 Tablespoons of ground ginger |
| 1 Egg yolk | 5cl Olive oil |
| Parsley | 2 Thyme twigs |
| 1 Red onion | 500g Small potatoes |

Preheat the oven at 180°C. Cut into the chicken breast to create a pocket. Mix the pork mince in a bowl together with chopped onion, half of the spices, the egg yolk, chopped parsley, salt and pepper. Place the mix into the chicken breast and tie with string.

Rub the outer with thyme and the rest of the spices, place in a roasting tray and coat with olive oil.

Place in the oven and cook for 1.5 hours. Half way through the cooking time add the potatoes. During cooking turn the breast every 15 minutes and make sure it is kept moist with wine.

Once cooked, remove from the oven, cover with aluminium foil and rest for 15 minutes. Serve with the potatoes and cooking juices.



Product dimension (mm): H455 x W595 x D472
Built-in dimension (mm): H452 x W568 x D 550



RFV460EIX
45CM COMPACT SOLO STEAM OVEN

- Capacity: 35 litres
- 1.2 Litres water tank
- 4 Cooking functions: steam 100 °C / steam 80 °C / steam 40 °C / defrost
- Energy class rating A
- Water refill light indication
- Descale light indication
- Electronic control panel
- Multi-display temperature
- Double layer glass door
- Safety child lock
- Timer
- Accessories: 1 drip pan, 1 perforated drip pan
- Power rating: 1500W
- Made in Italy

Highlight:

2 levels cooking: by ordering an additional stainless steel rack, you can put the food with longer cooking time (for example vegetables or potatoes) on the 2nd or 3rd level while food with shorter cooking time (for example fishes) on the 1st level with the use of perforated and baking tray. Select the longest cooking time among the 2 foods; because of the difference levels the foods are placing, they are ready at the same time without overcooking.

Price
HK\$ 13,880



35 Litre Capacity



Steam Cooking



LCD display



Product dimension (mm): H455 x W595 x D472
Built-in dimension (mm): H452 x W568 x D550



RMC350EIN
45CM COMPACT COMBINATION MICROWAVE OVEN

- Capacity: 35 litres
- 32cm Diameter turntable
- 8 Basic functions: microwave / grill / microwave + grill / hot air / microwave + hot air / grill + fan / defrosting by weight / defrosting by time
- 3 Special cooking functions with 11 recipes
 - heating food with 4 recipes (soup, pre-prepared dishes dense food, pre-prepared dishes, vegetables)
 - cooking fresh food with 4 recipes (potatoes, vegetables, rice, fish)
 - defrosting & toasting with 3 recipes (pizza, deep-frozen food, potato dishes)
- Cooking temperature from 50 to 200 °C
- Electronic control panel
- Multi-display temperature
- Double layer glass door
- Safety child lock
- Timer
- Accessories: 1 grid, 1 glass tray, 1 glass turntable plate, 1 turntable ring, 1 turntable support
- Microwave power: 1000W
- Grill power: 1500W
- Hot air power: 1600W
- Power output: 3400W
- Made in Italy

Highlight:

The stainless steel grid provided with the model can be used also for microwave function, but pay attention that the maximum load of the grid and turntable is 8kg.

Price
HK\$ 14,880



35 Litre Capacity



Combine cooking



LCD display



Product dimension (mm): H388 x W595 x D320
Built-in dimension (mm): H380 x W560 x D320



RMG20DFIN
38CM COMBINATION MICROWAVE OVEN

- Capacity: 20 litres
- 24.5cm Diameter turntable
- 4 Functions: microwave / grill / microwave + grill / defrost
- 8 Pre-set cooking menus
- LED electronic display
- Safety child lock
- Timer
- Accessories: 1 glass tray, 1 turntable shaft, 1 turntable ring, 1 grill rack
- Easy clean quartz grill
- Microwave power: 800W
- Grill power: 1000W
- Power output: 2300W
- Made in China

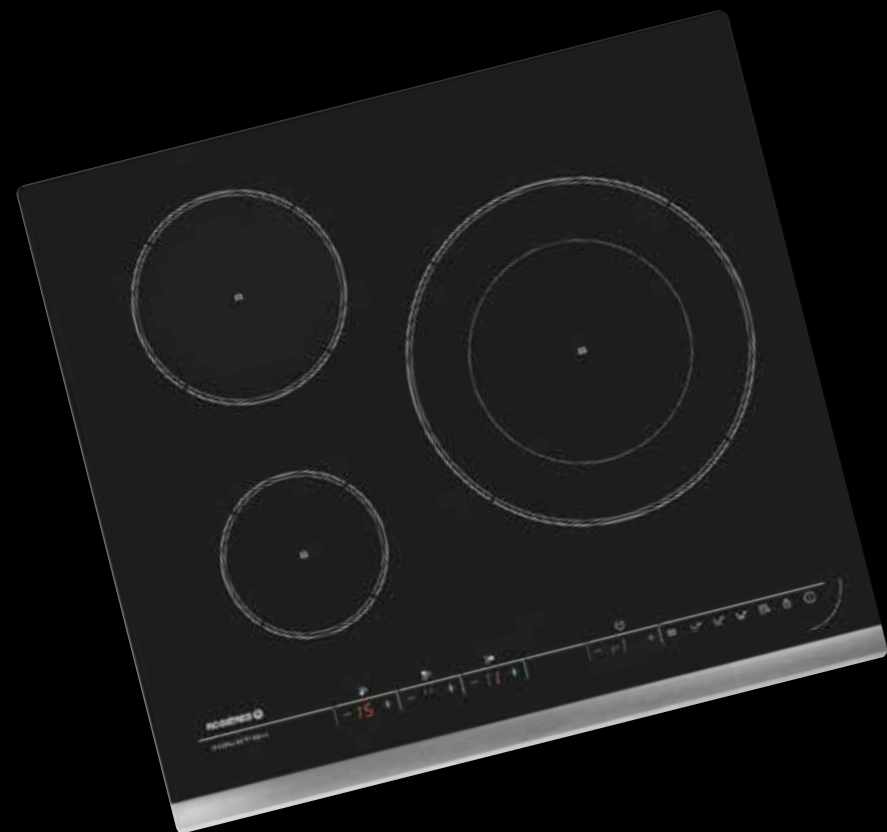
Price
HK\$ 4,280



20 Litre Capacity



Mo + Grill



NEW FLEX E-SPACE ZONE WITH 4000W

A large cooking surface with 840cm² is a completely flexible space to fit all your culinary needs. Exceptional 4000W power output after booster function is ideal for meat cooking.



3 WAYS TO UTILIZE THE NEW ROSIÈRES E-SPACE ZONE:

- One pot for simple daily cooking
- Creative cuisine with the use of several small pots to cook simultaneously the succulent marinated chicken and its 2 sauces.
- A large grill pan, fish poacher or casserole to make use of the whole 40 x 21cm cooking surface.



SPAGHETTI WITH BACON IN SAUCE VERDE

Serves 4

5cl Hazelnut oil	16 Bacon slices
1 Tablespoon of sunflower oil	60g Pine nuts
120g Spaghetti	Fresh parsley

Cook the spaghetti (7-10 min depending upon size) in plenty of salted boiling water.

Drain and cool under cold water.

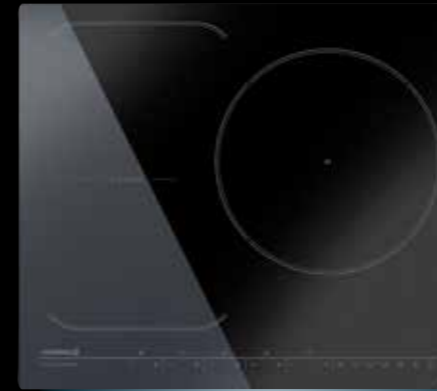
Chop the parsley.

Cut the bacon into strips

Place into a pan with sunflower oil and fry for 2 to 3 minutes.

Add the pine nuts and cook for a further 1 minute.

Place the spaghetti into a large serving bowl and mix with the bacon, pine-nuts, parsley, salt and pepper. Finally sprinkle with hazelnut oil and serve.



Product dimension (mm): H50 x W590 x D520
Built-in dimension (mm): W560 x D490

COLLECTION
PRIVILEGE

RES44 60CM INDUCTION HOB WITH FLEXIBLE E-SPACE ZONE + 1 ZONE XL

- Electronic sensitive touch control
- 1 Flexible zone: 40 x 21cm, 3000W, with booster 4000W
- 1 XL zone: 28cm diameter, 3000W, with booster 4000W
- Total power output: 7200W
- Black vitroceramic glass
- 3 Direct access with power level (mid / med / max) for each zone
- 15 Levels of cooking digital display
- 3 Boosters
- 3 Maximum 99 minutes electronic timers
- Memo memory
- Keep warm function
- Safety device: child lock / anti-overflow / overheating detection / residual heat indicator / temperature monitoring sensor / turbo ventilation / pan detection / small object detection
- Made in France

Price
HK\$ 14,880



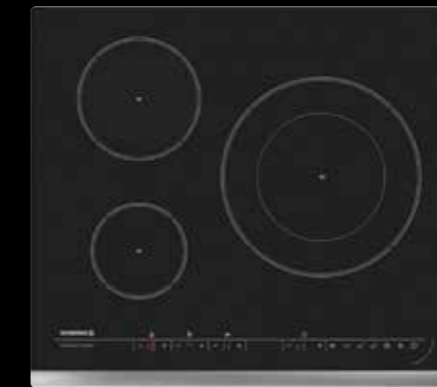
Flexible zone



4kw



Made in
France



Product dimension (mm): H50 x W590 x D520
Built-in dimension (mm): W560 x D490

RPIF342 60CM INDUCTION HOB WITH 3 ZONES, STAINLESS STEEL FRONTAL FRAME

- Electronic sensitive touch control
- 3 Zones induction
- Cooking zone power:
 - Front left: 15cm, 1200W with booster 1500W
 - Rear left: 18cm, 2300W with booster 2600W
 - Center: 28cm, 3000W with booster 4200W
- Total power output: 7200W
- Black vitroceramic glass
- 3 Direct access with power level (mid / med / max) for each zone
- 15 Levels of cooking digital display
- 3 Boosters
- 3 Maximum 99 minutes electronic timers
- Memo memory
- Keep warm function
- Safety device: child lock / anti-overflow / overheating detection / residual heat indicator / temperature monitoring sensor / turbo ventilation / pan detection / small object detection
- Made in France

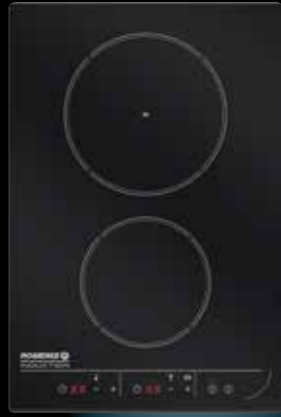
Price
HK\$ 9,980



4.2kw



Made in
France



RDVI342/1B
34CM DOMINO INDUCTION HOB WITH 2 ZONES

- Individual sensory control
- 2 Zones induction
- Cooking zone power:
 - Front: 16cm, 1400W
 - Rear: 20cm, 2300W with 3000W
- Total power output: 4400W
- Black vitroceramic glass
- Beveled frontal edge
- 9 Levels of cooking digital display
- 1 Booster
- 2 Electronic timers
- Safety device: child lock / anti-overflow / overheating detection / residual heat indicator / temperature monitoring sensor / pan detection
- Made in Italy

Product dimension (mm): H70 x W340 x D510
Built-in dimension (mm): H270 x D490

Price
HK\$ 7,980



RVG1TG
DOMINO SINGLE BURNER GAS HOB - TOWNGAS

- Wok burner gas hob
- Cooking zone power: 5000W (Towngas)
- Battery operated
- Black tempered glass cooktop
- Accessory: 1 die cast wok support
- Flame failure safety device
- Made in Australia

Price
HK\$ 9,980

Product dimension (mm): H 51 x W295 x D510 (with glass top)
Built-in dimension (mm): H45 x W265 x D485 (without glass top)



RVG2TG
DOMINO DOUBLE BURNERS GAS HOB - TOWNGAS

- 2 burners gas hob
- Cooking zone power:
 - Front: 2400W (Towngas)
 - Rear: 2400W (Towngas)
- Total power output: 4800W
- Battery operated
- Black tempered glass cooktop
- Accessory: 2 die cast pan supports
- Flame failure safety device
- Made in Australia

Price
HK\$ 9,980

Product dimension (mm): H 51 x W295 x D510 (with glass top)
Built-in dimension (mm): H45 x W265 x D485 (without glass top)



PROFESSIONAL DESIGN

Thanks to the remote control operation, it makes no fingerprint on the hood surface, enjoying the comfort of its high-end technology.



FUNCTION DISPLAY

The Stainless steel extractor hood RDL910IN will make real style statement in your kitchen. With its designer good looks and illuminated white LED display the power level and function selected are depicted by the level of intensity of the light emitted.



ELEGANT AND FUNCTIONALITY

Rosières decoration hoods offer a wide selection of contemporary design: stainless steel and mirror glass or stainless steel only. Their sleek outlook and modern cutting make a remarkable note in your stylish kitchens. What's more? They are designed to make your life easier with the powerful suction performance and additional features like smoke detector, smart sensor, boost and etc.....





GINGER RÉ

Serves 4

100g fresh ginger

2 Shallots

6 Courgettes

8 Tomatoes

25cl Coconut milk

6 Fish fillets

Olive oil

Chives

Grate the ginger and finely chop the onions.

Gently fry together in a pan with olive oil.

Dice the courgettes, add to the pan and cook over high heat for approx 10 minutes.

Clean and chop the tomatoes, add to the courgettes and continue to cook for a further 3 minutes, add the coconut milk to the mixture.

Place the fillets of fish over the mixture, cover and cook for a further 7 minutes. (the fish must not be overcooked)

Garnish with chives and serve with basmati rice.

HOTTES CONCEPT



Product dimension (mm): W900 x D441

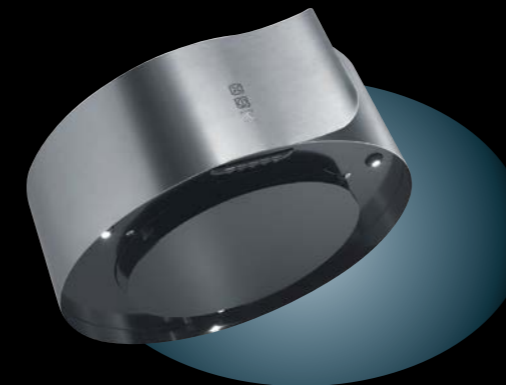
COLLECTION
PRIVILÈGE

RVSD970PN 90CM SMARTBLACK DESIGNER HOOD WITH REMOTE CONTROL

- Max 900m³/hr
- 4 Speeds option
- Available for both evacuation and recycling mode
- Touch control with LED blue lights (2 x 1.5W)
- Remote control operated
- Maximum 60 minutes timer
- 1 Washable metal grease filter
- 1 Charcoal filter
- Filter saturation indicator
- Motor power: 1 x 210W
- Made in China

Price

HK\$ 8,980



Product dimension (mm): H550-950 x W500 x D170

COLLECTION
PRIVILÈGE

RDL910IN 50CM LAMPSHADE COOKERHOOD

- Max 700m³/hr
- 4 Speeds option
- Only available for recycling mode
- Ceiling mount by a stainless steel tube
- Sensitive touch control with 3 LED lights (3 x 3W)
- 1 Washable aluminium grease filter dishwasher safe
- Motor power: 1 x 90W
- Made in Italy

Price

HK\$ 14,880



Product dimension (mm): H940-1180 x W898 x D330

COLLECTION
PRIVILÈGE

RHDC918MIN 90CM DESIGNER COOKERHOOD WITH GLASS MIRROR

- Max 900m³/hr
- 4 Speeds option
- Available for both evacuation and recycling mode
- Electronic control with smart sensor
- 2 Halogen lights each 20W
- 1 Washable aluminium grease filter dishwasher safe
- 2 Charcoal filters
- Filter saturation indicator
- Motor power: 1 x 250W
- Made in Italy

Price

HK\$ 9,980

HOTTES BOX



Built-in dimension (mm): H665-1130 x W900 x D520

RBE95/11N 90CM CHIMNEY COOKERHOOD

- Max 900m³/hr
- 4 Speeds option
- Available for both evacuation and recycling mode
- Clean air function
- Sensitive touch control
- 2 Halogen lights each 20W
- 3 Washable metal grease filters
- Optional charcoal filter
- Made in Italy

Price
HK\$ 6,880



Built-in dimension (mm): H645-1110 x W900 x D500

COLLECTION
PRIVILEGE

RBS9485IN 90CM CHIMNEY COOKERHOOD

- Max 900m³/hr
- 4 Speeds option
- Available for both evacuation and recycling mode
- Clean air function
- Sensitive key controls
- 2 Halogen lights each 20W
- 2 Washable metal grease filters dishwasher safe
- Optional charcoal filter
- Filter saturation indicator
- Made in Italy

Price
HK\$ 8,980



Built-in dimension (mm): H692-1057 x W900 x D600

COLLECTION
PRIVILEGE

RBS19485IN 90CM ISLAND COOKERHOOD

- Max 900m³/hr
- 4 Speeds option
- Available for both evacuation and recycling mode
- Clean air function
- Sensitive key controls
- 4 Halogen lights each 20W
- 2 Washable metal grease filters dishwasher safe
- Optional charcoal filter
- Made in Italy

Price
HK\$ 16,880



Built-in dimension (mm): H165 x W900 x D290

RHT930IN 90CM TELESCOPIC COOKERHOOD

- Max 750m³/hr
- 3 Speeds option
- Available for both evacuation and recycling mode
- Slide control
- 2 Halogen lights each 20W
- Double suction surface
- 4 Washable metal grease filters dishwasher safe
- Motor power: 2 x 100W
- Made in Italy

Price
HK\$ 5,880



Built-in dimension (mm): H165 x W600 x D290

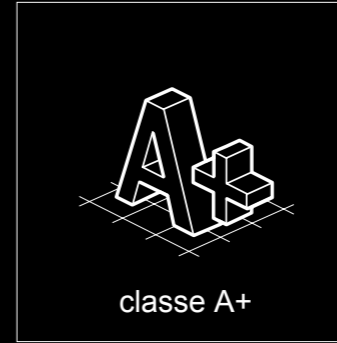
RHT650IN 60CM TELESCOPIC COOKERHOOD

- Max 750m³/hr
- 3 Speeds option
- Available for both evacuation and recycling mode
- Slide control
- 2 Halogen lights each 20W
- Double suction surface
- 2 Washable metal grease filters dishwasher safe
- Motor power: 2 x 100W
- Made in Italy

Price
HK\$ 4,880



LE FROID



CLASS A+

With Class A+ energy efficiency & Grade 1 of Hong Kong EEL system, Rosières refrigerators reduce energy consumption.

FANNED AIR

The fan feature ensures an homogenous repartition of cold air optimal for food conservation and providing total freedom of organization.



SAFETY GLASS SHELVES

The safety glass shelves offer stability and are extremely resistant to shock and scratching. They are easily washable, removable and can be placed at different heights to tailor the internal environment to your needs.

BOTTLE HOLDER

You will no longer be short of space to store your bottles with this metal bottle-holder that slides under the shelf.





RBCP3183NF/E
177CM FULLY INTEGRATED COMBI FRIDGE

- Net capacity: 188 litres fridge
48 litres freezer (4-star)
- No frost for freezer
- Freezing capacity: 3kg / 24 hours
- Auto defrost for fridge
- Quick freezing function
- 4 Glass shelves in fridge compartment
- 3 Storage drawers in freezer compartment
- Climate class: T
- Reversible door
- Made in Romania

Price
HK\$ 14,880

Product dimension (mm): H1776 x W540 x D535
Built-in dimension (mm): H1788 x W560 x D550



RBP164
82CM UNDER-COUNTER COMBI FRIDGE

- Net capacity: 95 litres fridge
17 litres freezer (4-star)
- Automatic defrost for fridge
- Freezing capacity: 2kg / 24 hours
- Manual defrost for freezer
- 2 Glass shelves in fridge compartment
- 1 Storage drawer in freezer compartment
- Climate class: N
- Reversible door
- Made in China

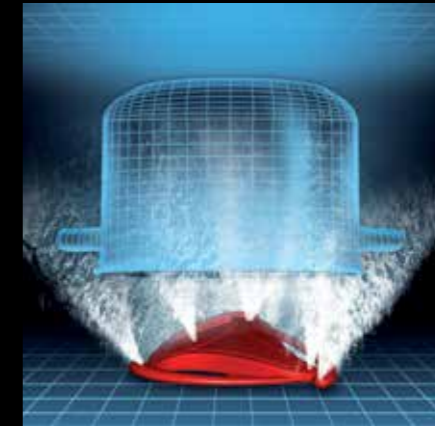
Price
HK\$ 6,880

Product dimension (mm): H820 x W590 x D543
Built-in dimension (mm): H820-870 x W600 x D550



**POWERWASH TECHNOLOGY
4 TIMES MORE EFFECTIVE**

Thanks to the third arm POWERWASH technology, the washing process is 4 times more effective than a standard dishwasher. Specially designed for obstinate dishes to achieve a perfect cleaning result.

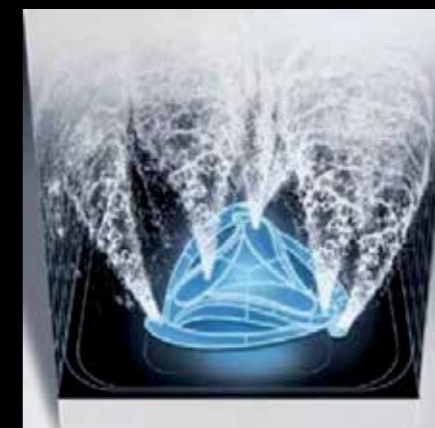


INDEPENDENT 3RD WASH ARM

It is not attached to the spray arm but dissociated. The frequency of cleaning is increased and the pressure of each spray arm remains intact for enhanced action.

**6 ULTRA-POWERFUL
WATER JETS**

For a deep cleaning to 360 degree, the third arm is equipped with 6 jets to clean your dishes thoroughly in the smallest crannies to reinforce the water pressure, efficiency guarantee!





R2INIX
KITCHEN TWINS - FULLY INTEGRATED DISHWASHER
AND COMPACT OVEN

Oven

- Capacity: 39 litres
- 5 Cooking functions: bottom + top / bottom + top + fan / grill / grill + fan / bottom + fan
- Stainless steel finishing
- Class A energy efficiency
- Cooking temperature from 60 to 240°C
- Power output: 2100W

Dishwasher

- Capacity: 6 place settings
- 5 Washing programs: intensive 75 °C / universal 65 °C / eco 45 °C / rapid 32 minutes 50 °C / cold rinse
- Class AAA (energy / washing / drying)
- Electronic control
- Water consumption: 8 litres / cycle
- Power output: 2050W
- Energy cycle: 0.63kw/h
- Made in France

Product dimension (mm): H844-900 x W596 x D570
Built-in dimension (mm): H844-900 x W600 x D580

Price
HK\$ 19,980



RLFD634
60CM FULLY INTEGRATED DISHWASHER WITH
POWERWASH

- Capacity: 15 place settings
- Third arm Powerwash system
- Condenser drying
- Steam program
- Electronic control digital display
- Smart sensor
- 7 Temperature levels selection
- 8 Washing programs: steam 75°C / chef 65°C / universal 60°C / daily 55°C / eco 45°C / crystal 45°C / rapid 29 minutes 50°C / rinse 5 minutes
- 4 Washing programs with Powerwash: Intensive 75°C / family 70°C / eco plus 55°C / optimal 59 minutes 65°C
- Class A+++A (energy / washing)
- Water consumption: 10 litres / cycle
- Noise level: 42dBA
- Delay start from 1 to 23 hours
- Automatic sensitive load
- Tablets 5 in 1
- Adjustable height of upper basket
- Adjustable feet to 90cm
- Made in China

Product dimension (mm): H820-885 x W596 x D570
Built-in dimension (mm): H835-900 x W600 x D570



Price
HK\$ 12,880



15 place
settings



10 litres water
consumption



steam



Powerwash
system



AAA OUTSTANDING PERFORMANCE

Rosières 2-in-1 washer/dryer is classified with an AAA efficiency operational level. It washes and dries in Class A thus saving money whilst providing high performance levels. Rosières always considers the protection of the environment in its products.



classe AAA



THE NEW 8KG XL WASHING/ DRYING CAPACITY

The new 8kg line by Rosières features a large drum with classic dimensions. With its 56-litre volume, it is possible to wash 8kg and dry up to 5kg. Laundry is better tumbled resulting in a less wrinkled final result.

59' ALL IN ONE

The new 59' ALL IN ONE program lets you wash and dry the equivalent of 4 shirts in less than an hour.

59' Taut en 1



ELECTRONIC DRYING PROGRAMME

The programme automatically adjusts the drying time according to the type selected. There is an energy saving programme that delivers perfect drying.

RAPID 14, 30 AND 44 MIN

This 'Quick' feature is ideal when in a hurry, the 14, 30 and 44 min rapid programmes can complete a wash cycle of up to 4kg.

**Quick
14/30/44**



AQUAPLUS PROGRAMME

This specially designed programme offers extra care for children or people with sensitive skin. The load is washed with an increased quantity of water reducing the chance of residual washing agents.





RILSI4853DN-S
60CM BUILT-IN 8+5KG WASHER-DRYER

- Capacity: 8kg wash and 5kg dry
- Spin speed: 1400rpm
- 30cm Diameter panoramic window with ergonomic handle
- Electronic programs with digital display of time remaining
- 15 Wash and dry programs
- 1.5 Kg fast wash and dry in 59 minutes
- Rapid 14'/30'/44'
- Sport wear / wool / delicate program
- Energy efficiency grade 1
- Delay start up to 23 hours
- Automatic sensitive load
- Heater detector
- Anti-overflow security
- Anti-flood detector
- Anti-foam rise control
- Anti-unbalanced control
- Made in Italy

Product dimension (mm): H820 x W596 x D540
Built-in dimension (mm): H825 x W600 x D570

Price
HK\$ 13,880



TECHNICAL SPECIFICATIONS

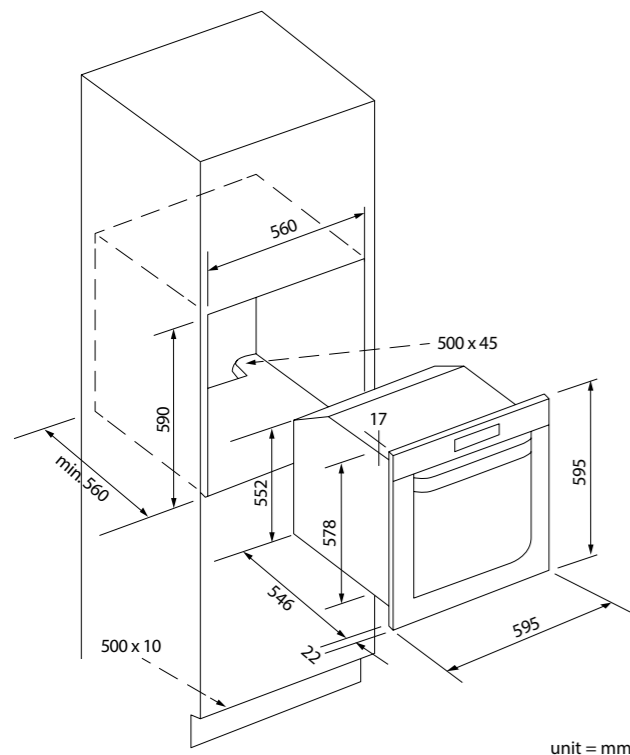
INSTALLATION DIAGRAM

Ovens	44
Hobs	45
Hoods	46
Cooling	48
Laundry	48

TECHNICAL SPECIFICATIONS

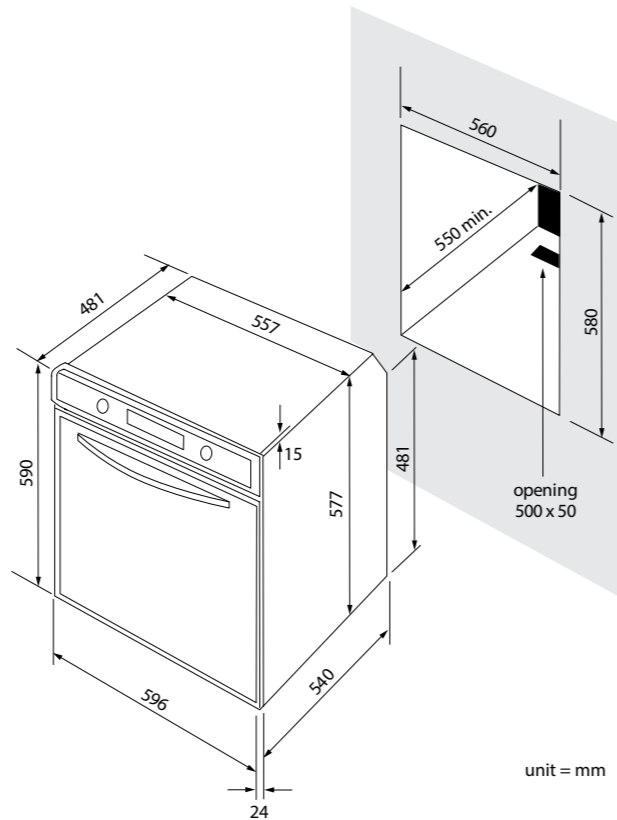
Ovens	50
Hobs	52
Hoods	54
Cooling	56
Laundry	57

MODEL RFA98FIN / RFA64FIN



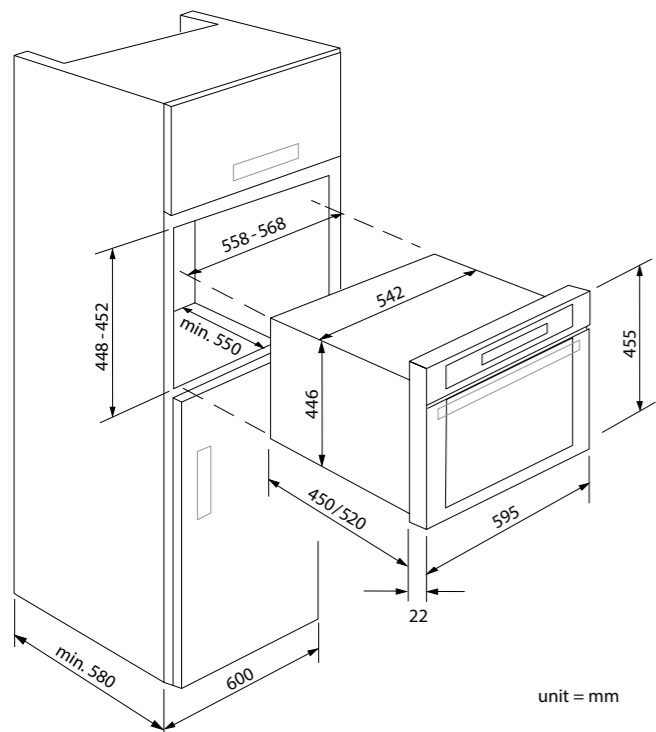
unit = mm

MODEL RF43IN



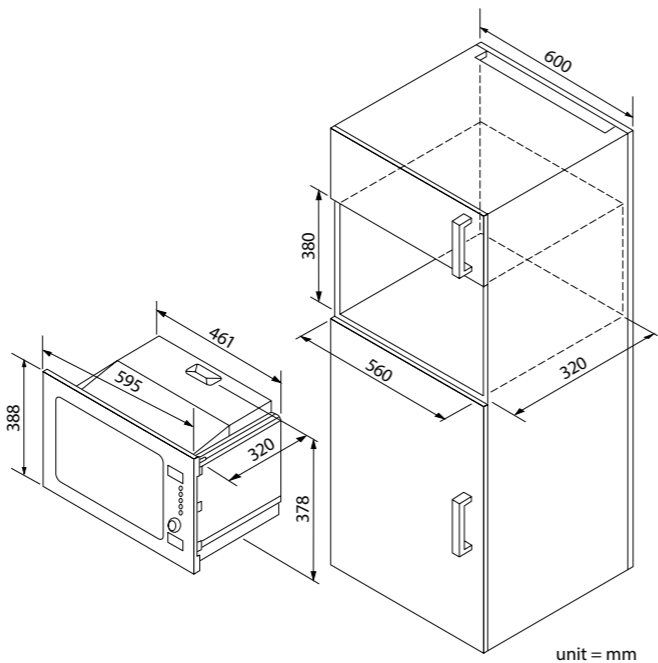
unit = mm

MODEL RFV460EIX / RMC350EIN



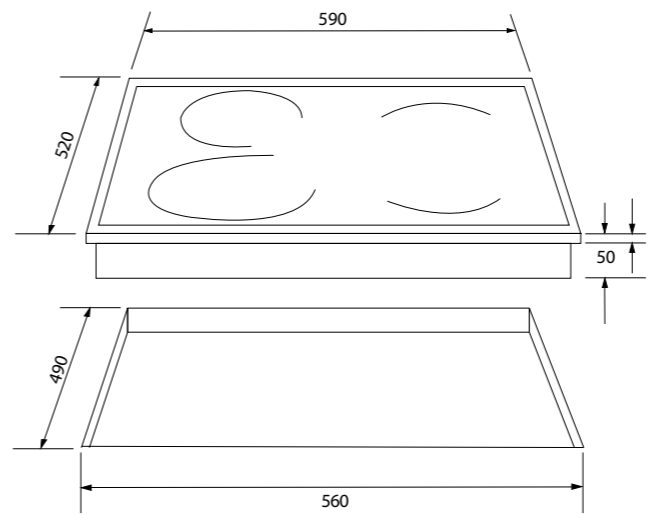
unit = mm

MODEL RMG20DFIN



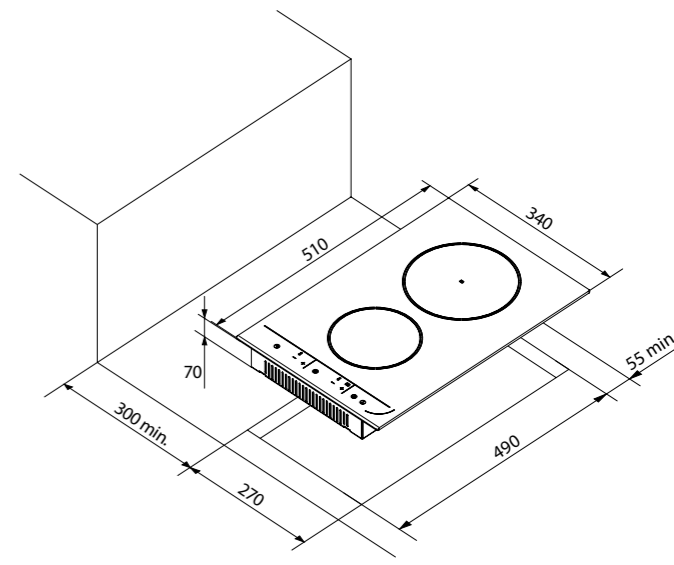
unit = mm

MODEL RES44 & RPIF342



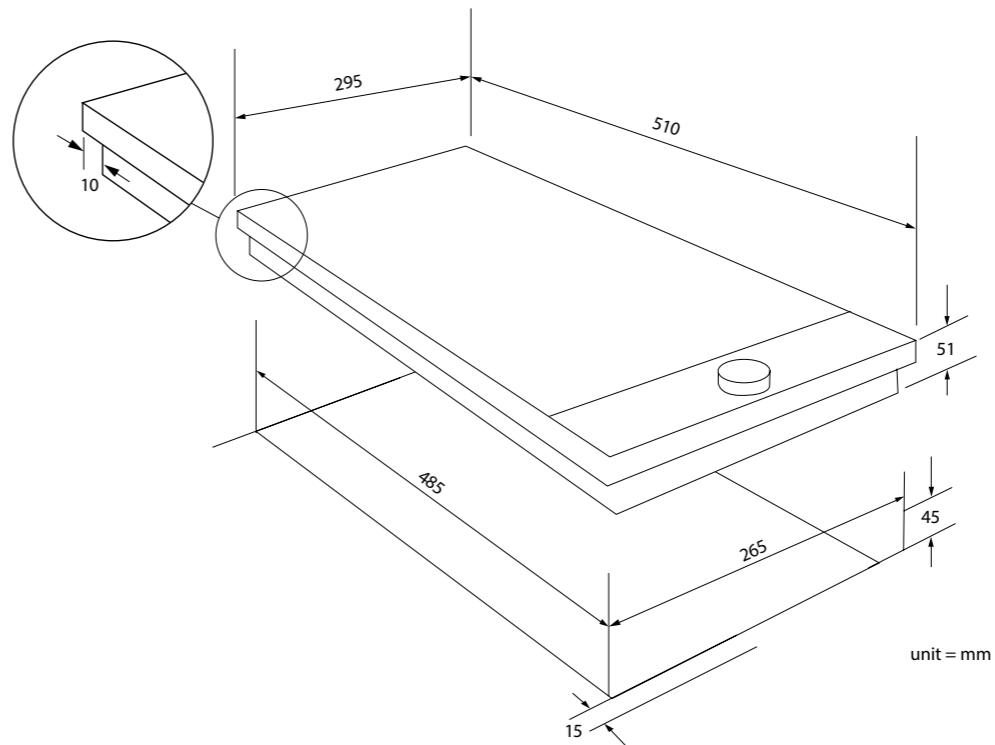
unit = mm

MODEL RDV1342/1B



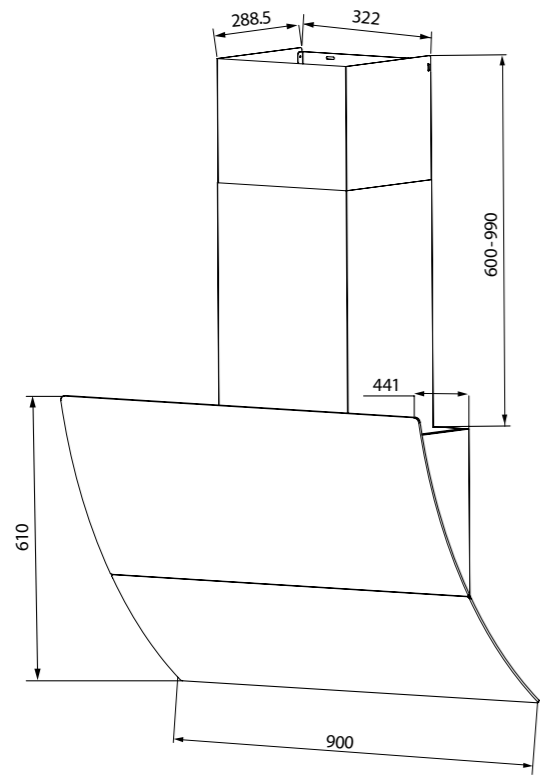
unit = mm

MODEL RVGITG / RVG2TG



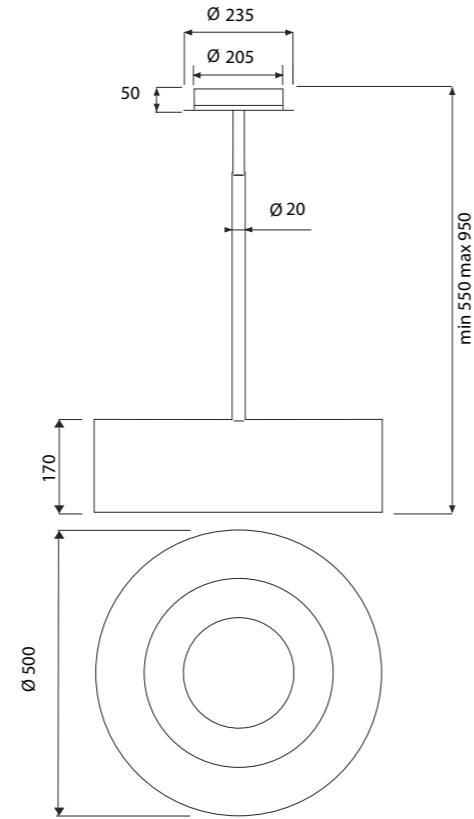
unit = mm

MODEL RVSD970PN



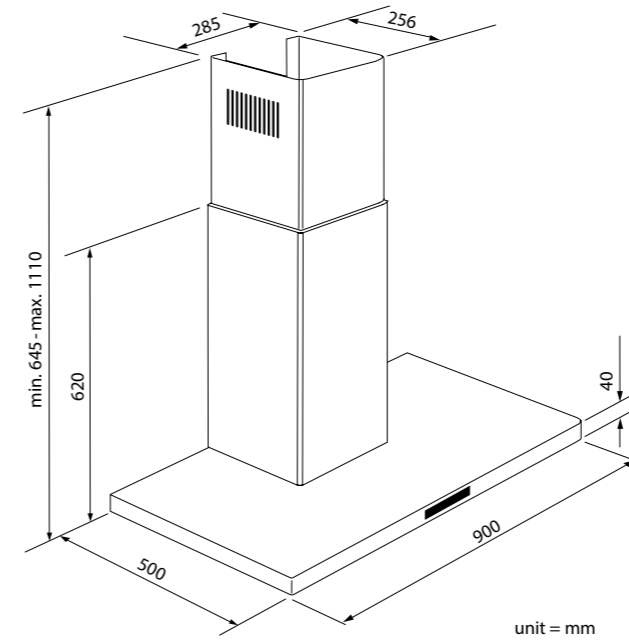
unit = mm

MODEL RDL910IN



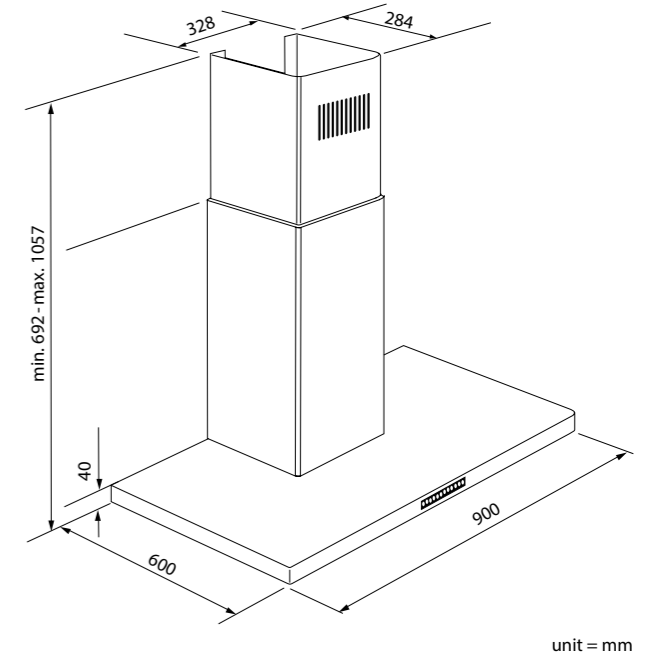
unit = mm

MODEL RBS9485IN



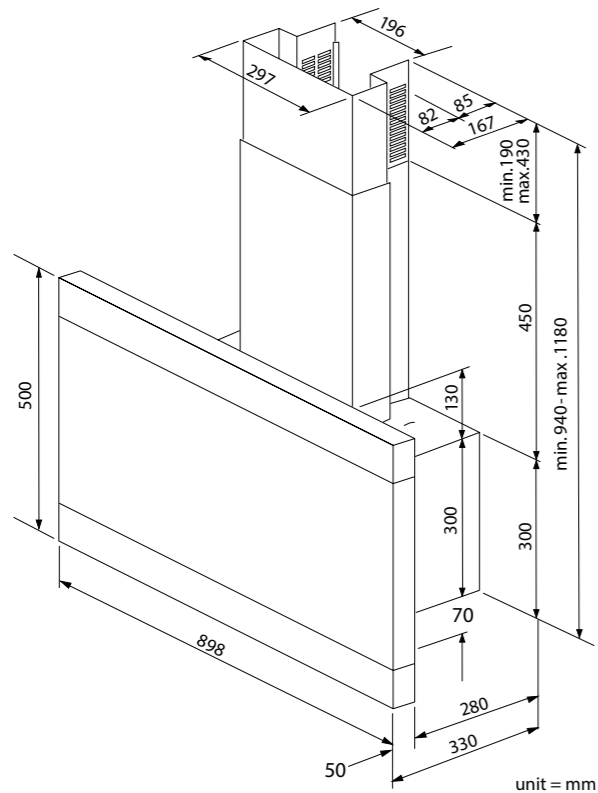
unit = mm

MODEL RBS19485IN



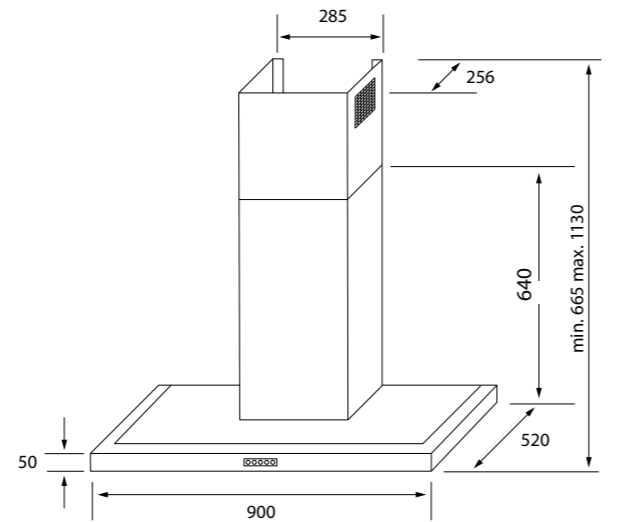
unit = mm

MODEL RHDC918MIN



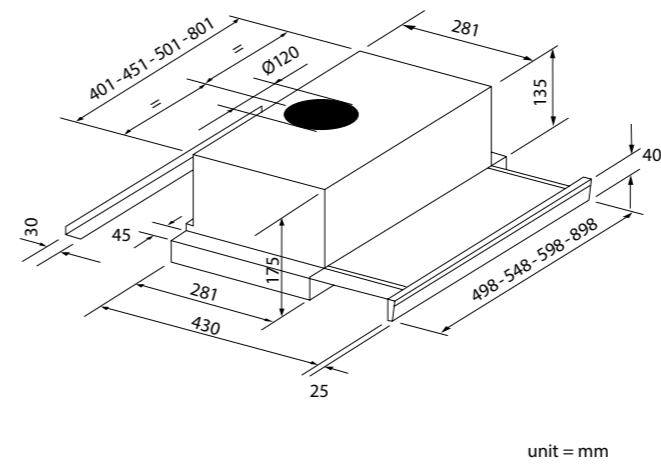
unit = mm

MODEL RBE95/1IN



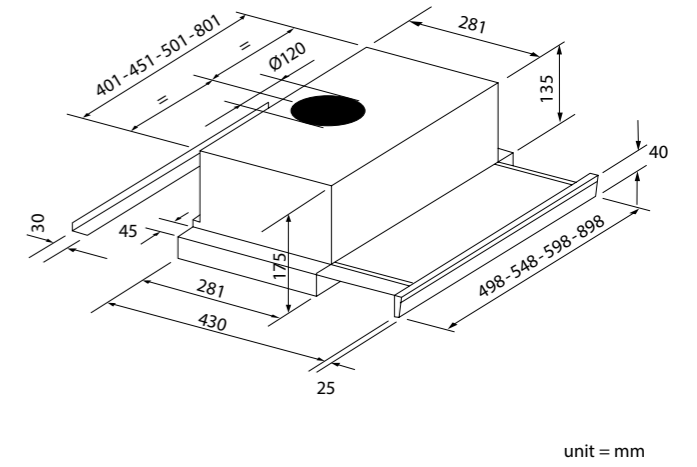
unit = mm

MODEL RHT930IN



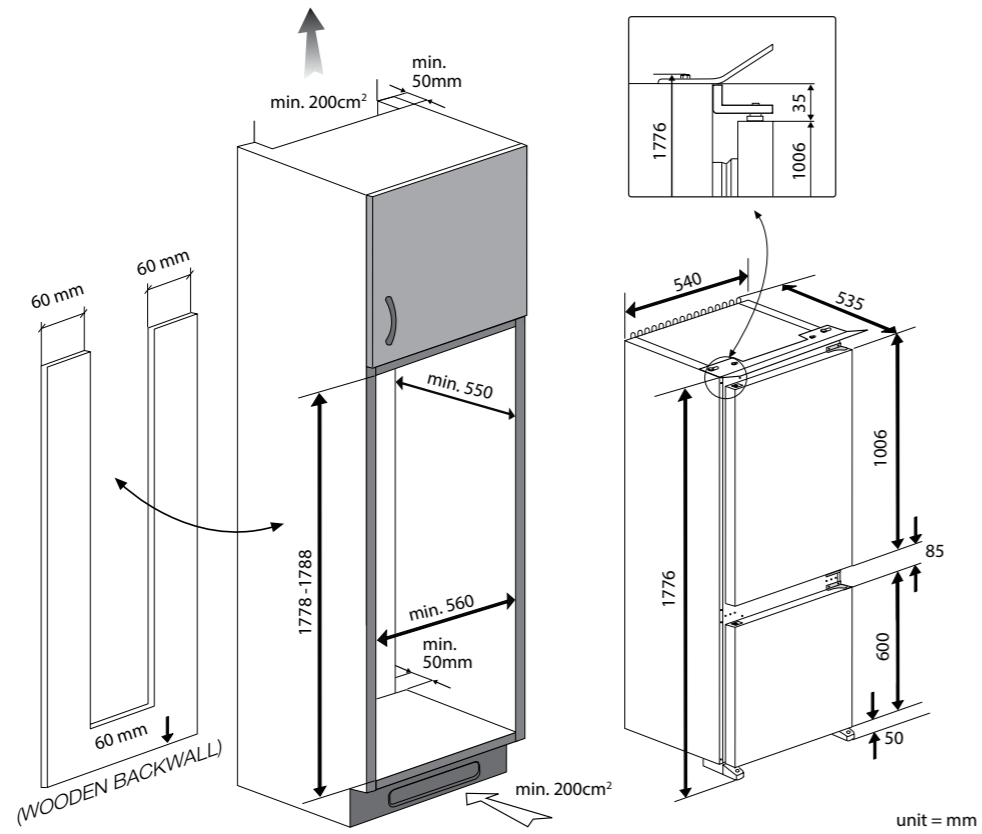
unit = mm

MODEL RHT650IN

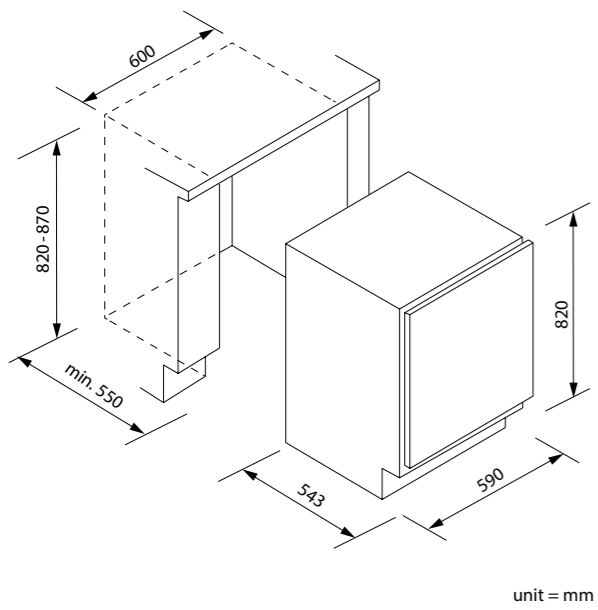


unit = mm

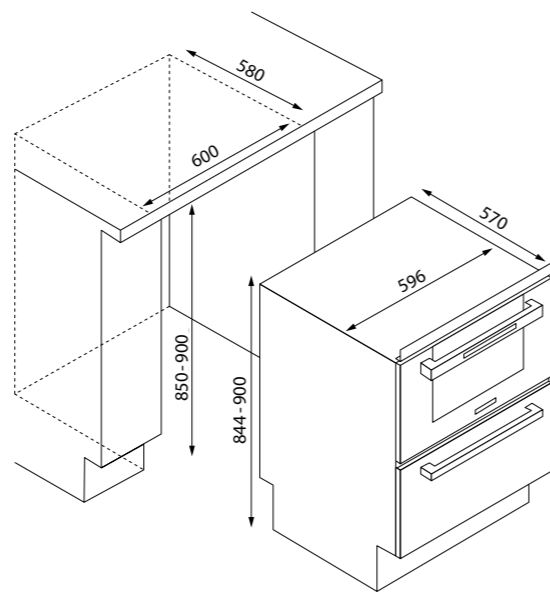
MODEL RBCP3183NF/E



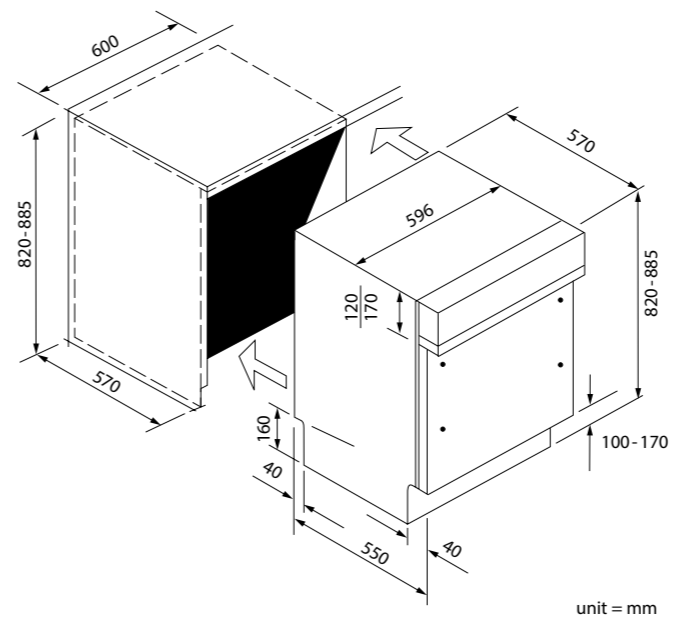
MODEL RBP164



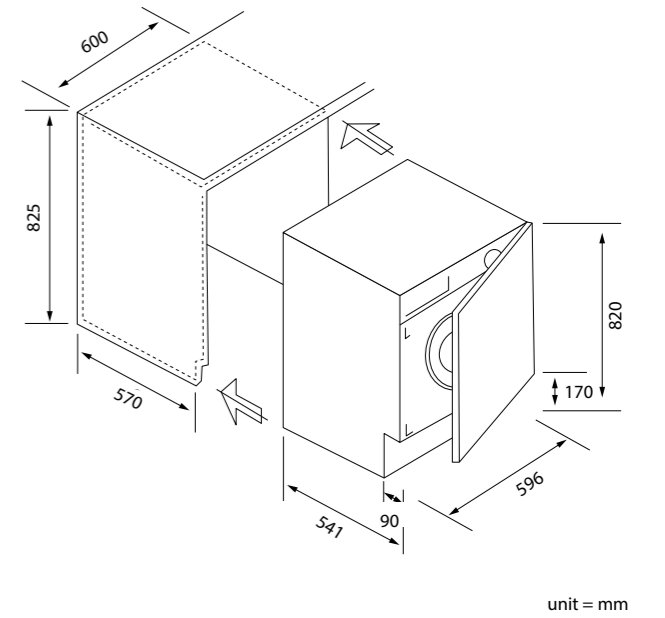
MODEL RZINIX



MODEL RLFD634



MODEL RIL614853DN-S

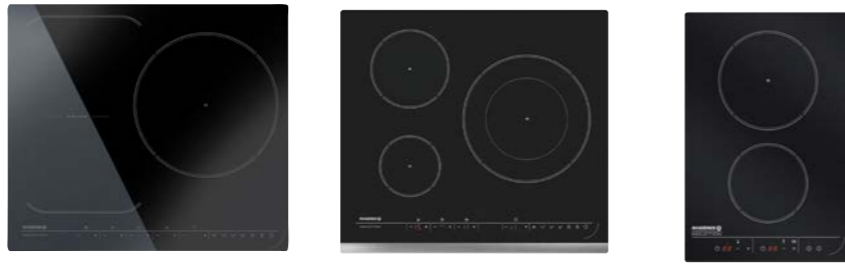




MODEL	RFA98FIN	RFA64FIN	RF43IN
Model type	Prodige multifunctional double oven	Prodige multifunctional oven	Multifunctional oven
Color	Stainless steel	Stainless steel	Stainless steel
SPECIFICATIONS			
Volume (Litre)	73	73	53
Grill power (W)	2040	2040	2040
Total power (W)	3400	3400	3200
Oven temperature range (°C)	50-280	50-280	50-280
FEATURES			
Control	LCD multi-touch	Sensitive touch with knobs	Sensitive touch with knobs
No. of functions	17	10	7
Bottom	Yes (main, bottom cavity)	-	-
Bottom+fan	Yes (main, bottom cavity)	Yes	Yes
Bottom+top	Yes	Yes	Yes
Bottom+top+fan	Yes	Yes	Yes
Fan	Yes (main, top, bottom cavity)	yes	-
Grill	Yes (main, top cavity)	Yes	Yes
Grill+fan	Yes (main, top cavity)	Yes	Yes
Grill+turnspit+fan	Yes	Yes	-
Defrost	Yes	Yes	Yes
Keep warm	Yes	Yes	Yes
Pyro	Yes	Yes	catalytic
Lighting system	LED vision	light bulb	light bulb
Full glass inner door	4 layers	4 layers	2 layers
ACCESSORIES			
Grid	3	2	2
Drip tray	1	1	1
Rotisserie	1	1	-
Pastry tray	1	-	-
Seperator	1	-	-
ELECTRICAL CONNECTION			
Energy class	A-20%	A-20%	A
Fuse rating 220 - 230V / 50Hz (A)	20	20	20
DIMENSIONS / WEIGHTS			
Product H x W x D (mm)	595 x 595 x 546	595 x 595 x 546	590 x 596 x 540
Built-in H x W x D (mm)	590 x 560 x 560	590 x 560 x 560	580 x 560 x 550
Net / gross weight (kg)	40.5 / 42.5	40.5 / 42.5	37 / 40



MODEL	RFV460EIX	RMC350EIN	RMG20DFIN
Model type	Steam oven	Combi microwave oven	Mircowave oven with grill
Color	Stainless steel	Stainless steel	Stainless steel
SPECIFICATIONS			
Volume (litre)	35	35	20
Microwave power (W)	-	1000	800
Grill power (W)	-	1500	1000
Total power (W)	1500	3400	2300
Oven temperature range (°C)	40 / 80 / 100	50 - 200	-
Water tank volume (litre)	1.2	-	-
FEATURES			
Control	Electronic	Electronic	Electronic
No. of functions	4	11	4
Steam cooking	Yes	-	-
Microwave	-	Yes	Yes
Grill	-	Yes	Yes
Microwave+grill	-	Yes	Yes
Hot air	-	Yes	-
Microwave + hot air	-	Yes	-
Grill + fan	-	Yes	-
Defrost	Yes	Yes	Yes
Special functions with recipes	-	3 with 11 recipes	8
Quick start	-	Yes	Yes
Child lock	Yes	Yes	Yes
Timer	Yes	Yes	Yes
Oven door (layers)	2	2	-
ACCESSORIES			
Drip pan	1	-	-
Perforated drip pan	1	-	-
Glass turntable	-	1 x 32cm	1 x 24.5cm
Glass tray	-	1	-
Grid	-	1	-
Grill rack	-	-	1
ELECTRICAL CONNECTION			
Energy class	A	A	-
Fuse rating 220 - 230V / 50Hz (A)	13	20	13
DIMENSIONS / WEIGHTS			
Product H x W x D (mm)	455 x 595 x 472	455 x 595 x 472	388 x 595 x 320
Built-in H x W x D (mm)	452 x 568 x 550	452 x 568 x 550	380 x 560 x 320
Net / gross weight (kg)	32 / 35	32 / 35	14 / 16



MODEL	RES44	RPIF342	RDVI342/1B
Model type	Induction	Induction	Induction
Color	Black vitroceramic	Black vitroceramic	Black vitroceramic
SPECIFICATIONS			
No. of cooking zones	3	3	2
No. of booster zones	3	3	1
E-Space zone (size, power, booster)	40 x 21cm, 3000W, 4000W	-	-
Zone: Front left (size, power, booster)	-	15cm, 1200W, 1500W	Front: 16cm, 1400W
Zone: Rear left (size, power, booster)	-	18cm, 2300W, 2600W	Rear: 20cm, 2300, 3000W
Zone: Centre (size, power, booster)	28cm, 3000W, 4000W	28cm, 3000W, 4200W	-
Total rating (W)	7200	7200	4400
FEATURES			
Control panel	Sensor touch	Sensor touch	Sensor touch
Electronic timer	Yes	Yes	Yes
Direct access	Yes	Yes	-
Child lock	Yes	Yes	Yes
Residual heat indicators	Yes	Yes	Yes
Anti-overflow cut-off	Yes	Yes	Yes
Overheating detection	Yes	Yes	Yes
Temperature monitoring sensor	Yes	Yes	Yes
Turbo ventilation	Yes	Yes	-
Pan detection	Yes	Yes	Yes
Small object detection	Yes	Yes	-
Power levels	15	15	9
Memo memory	Yes	Yes	-
ELECTRICAL CONNECTION			
Fuse rating 220 - 230V / 50Hz (A)	32	32	20
DIMENSIONS / WEIGHTS			
Product H x W x D (mm)	50 x 590 x 520	50 x 590 x 520	70 x 340 x 510
Built-in H x W x D (mm)	560 x 490	560 x 490	270 x 490
Net / gross weight (kg)	10 / 19	11 / 12	5.8 / 7.1



MODEL	RVG1TG	RVG2TG
Model type	Gas	Gas
Color	Black tempered glass	Black tempered glass
Gas type	TG	TG
SPECIFICATIONS		
No. of cooking zones	1	2
Zone: Front (power W)	-	2400
Zone: Rear (power W)	-	2400
Zone: Centre (power W)	5000	-
Total rating (W)	5000	4800
FEATURES		
Control	Knob	Knobs
Battery operated	Yes	Yes
Flame failure device	Yes	Yes
Accessories		
Die cast wok suport	1	-
Die cast pan support	-	2
DIMENSIONS / WEIGHTS		
Product H x W x D (mm)	51 x 295 x 510	51 x 295 x 510
Built-in H x W x D (mm)	45 x 265 x 485	45 x 265 x 485
Net / gross weight (kg)	7 / 8	8 / 9



MODEL	RVSD970PN	RDL910IN	RHDC918MIN
Model type	Wall mounted	Island	Wall mounted
Color	Black glass	Stainless steel	Stainless steel & glass
SPECIFICATIONS			
Size (cm)	90	50	90
No. of fan speeds	4	4	4
Maximum extraction (m ³ /hr)	900	700	900
Noise level (dBA)	68	74	68
FEATURES			
Control	Remote control + touch	Sensitive touch	Electronic
Number of motors	1	1	1
Lighting (Halogen Lights)	-	-	2 x 20W
Lighting (LED)	2 x 1.5W	3 x 3W	-
Filter saturation indicator	Yes	-	Yes
Clean air function	-	-	-
Extraction / Recycling (E/R)	E/R	R	E/R
Accessories			
Metal filters	1	1	1
Charcoal filters	1	-	2
Electrical connection			
Fuse rating 220-230V / 50Hz (A)	13	13	13
Dimensions / Weights			
Ducting diameter (mm)	150	-	150
Product W x D (mm)	600 / 990 x 900 x 441	550 / 950 x 500 x 170	940 / 1180 x 898 x 330
Net / gross weight (kg)	26.1 / 30.7	18.5 / 24.5	15 / 19.4



MODEL	RBE95/11N	RBS9485IN	RBS19485IN	RHT930IN	RHT650IN
Model type	Wall mounted	Wall mounted	Island	Telescopic	Telescopic
Color	Stainless steel	Stainless steel	Stainless steel	Stainless steel	Stainless steel
SPECIFICATIONS					
Size (cm)	90	90	90	90	60
No. of fan speeds	4	4	4	3	3
Maximum extraction (m ³ /hr)	900	900	900	750	750
Noise level (dBA)	65	71	71	66	66
FEATURES					
Control	Sensitive touch	Sensitive key	Sensitive key	Slide	Slide
Number of motors	1	1	1	2	2
Lighting (Halogen Lights)	2 x 20W	2 x 20W	40 x 20W	2 x 20W	2 x 20W
Lighting (LED)	-	-	-	-	-
Filter saturation indicator	-	Yes	-	-	-
Clean air function	Yes	Yes	Yes	-	-
Extraction / Recycling (E/R)	E/R	E/R	E/R	E/R	E/R
Accessories					
Metal filters	3	2	2	4	2
Charcoal filters	-	-	-	-	-
Electrical connection					
Fuse rating 220-230V / 50Hz (A)	13	13	13	13	13
Dimensions / Weights					
Ducting diameter (mm)	150	150	150	120	120
Product W x D (mm)	665 / 1130 x 900 x 520	645 / 1110 x 900 x 500	692 / 1057 x 900 x 600	165 x 900 x 290	165 x 600 x 290
Net / gross weight (kg)	19 / 23	16 / 20	20 / 35	12.5 / 14	9.5 / 10



MODEL	RBCP3183NF/E	RBPI64
Model type	Fully integrated	Fully integrated
Color	White	White
Specifications		
Net capacity (L)	236	112
Fridge capacity (L)	188	95
Freezer capacity (L)	48	17
Climate type	T	N
Reversible door	Yes	Yes
Fridge compartment		
Defrosting system	Auto	Auto
Glass shelves	3	2
Vegetable crisper compartment	1	1
0-3°C chiller compartment	1	-
Bottle holder	4	-
Freezer compartment 4-star		
Defrosting system	Frost free	Manual
Super freeze	yes	-
Freezing capacity	3 / 24 hr	2 / 24 hr
No. of storage drawer	3	1
Electrical connection		
Fuse rating 220 - 230V / 50Hz (A)	13	13
Dimensions / Weights		
Product H x W x D (mm)	1776 x 540 x 535	820 x 590 x 543
Built-in dimensions H x W x D (mm)	1788 x 560 x 550	820 - 870 x 600 x 550
Net / gross weight (kg)	58 / 62	33 / 38



MODEL	R2INIX
Model type	Compact oven+dishwasher
Color	Stainless steel
Specifications (Oven)	
Volume (litre)	39
Power output (W)	2100
Features (Oven)	
Control	Touch
Oven temperature range (°C)	60-240
No. of cooking function	5
Bottom+top	yes
Bottom+top+fan	yes
Grill	yes
Grill+fan	yes
Bottom+fan	yes
Specifications (Dishwasher)	
Capacity	6
Power output (W)	2050
Features (Dishwasher)	
Control	Electronic
No. of temperature selection	5
Intensive 75°C	yes
Universal 65°C	yes
Eco 45°C	yes
Rapid 32 minutes 50°C	yes
Cold rinse	yes
Water consumption (litre)	8
Electrical connection	
Energy class	A (Oven) / AAA (Dishwasher)
Fuse rating 220-230V / 50Hz (A)	20
Dimensions / Weights	
Product H x W x D (mm)	835 - 900 x 596 x 570
Built-in dimensions H x W x D (mm)	835 - 900 x 600 x 580
Net / gross weight (kg)	60 / 63



MODEL	RLFD634
Model type	Fully integrated
Color	Pearl
Specifications	
Capacity	15
Power output (W)	2150
Condenser drying	yes
Features	
Control	Electronic
Powerwash technology	yes
No. of temperature selection	45,50,55,60,65,70,75
No. of washing programmes	12
Steam 75°C	Yes
Chef 65°C	Yes
Universal 60°C	Yes
Daily 55°C	Yes
Eco 45°C	Yes
Crystal 45°C	Yes
Rapid 29 minutes 50°C	Yes
Rinse 5 minutes	Yes
Intensive 75°C	Yes
Family 70°C	Yes
Eco plus 55°C	Yes
Optimal 59 minutes 65°C	Yes
1 hour 70°C	-
Cold rinse	-
Water consumption (litre)	10
Delay start (hr)	1-23
Light indicator	On/off, programs, delay start, tablets 5 in 1, rinse, overflow
Electrical connection	
Energy class	A+++A
Fuse rating 220-230V / 50Hz (A)	13
Dimensions / Weights	
Product H x W x D (mm)	820 - 885 x 596 x 570
Built-in dimensions H x W x D (mm)	835 - 900 x 600 x 570
Net / gross weight (kg)	40 / 43



MODEL	RILS14853DN-S
Model type	Fully integrated
Color	White
Specifications	
Washing capacity (litre)	8
Dry capacity (litre)	5
Maximum spin speed (rpm)	1400
Security	Overflow protection, anti-flood detector, heater detector, foam control, anti-unbalanced
Programmes	
Control	Electronic
Display	Digital
No. of washing & dry programmes	15
1.5 Kg fast wash and dry in 59 minutes	yes
Rapid (minutes)	14' / 30' / 44'
Resistant fabrics	90 / 60 / 40°C
Mixed and synthetic	yes
Delicate	yes
Rinse	yes
Spin	yes
Eco 20°C	yes
Drain	yes
Wool program	yes
Hand wash	yes
Sport program	yes
Low heat	yes
High heat	yes
Electrical connection	
Energy class	1
Fuse rating 220 - 230V / 50Hz (A)	13
Dimensions / Weights	
Product H x W x D (mm)	820 x 596 x 540
Built-in dimensions H x W x D (mm)	825 x 600 x 570
Net / gross weight (kg)	72 / 74

本公司將不斷提升各型號之規格，以上產品資料或有更改，請向本公司查詢。

The above mentioned specifications may be changed in order to provide you the model with latest technology, please collect the details if necessary.

Rosières Gallery
Shop 709, Hopewell Centre
183 Queen's Road East, Wanchai
Tel: (852) 2881 0055



2/F., Shing Dao Industrial Building,
232 Aberdeen Main Road, HK.
香港仔大道232號城都工業大廈2樓
General Line 查詢電話：2418 3222
www.gilman-group.com

Proudly Serviced by:



a Gilman Group Company

7/F., Goodwill Industrial Building,
36-44 Pak Tin Par Street, Tsuen Wan, HK
香港荃灣白田壩街36-44號信義工業大廈7樓
Customer Service Hotline
客戶服務專線：8210 8210
www.ToolBox.hk