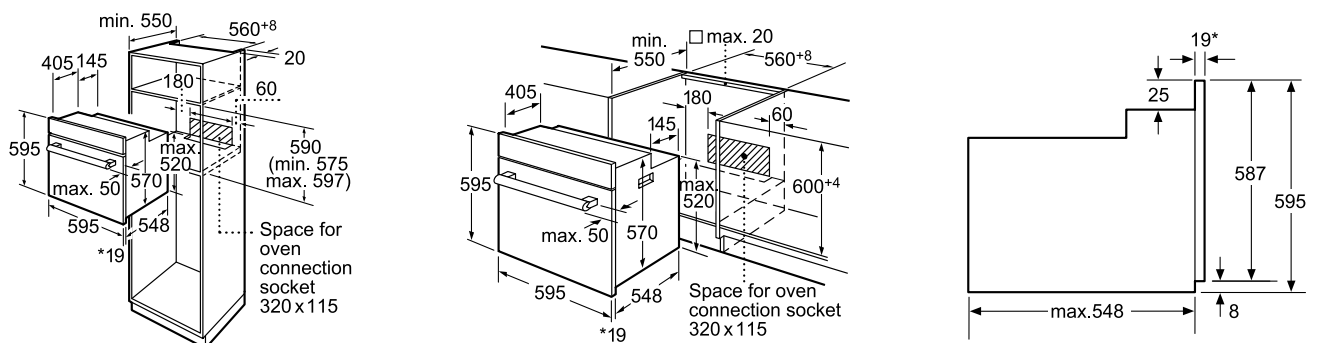


## Built-in oven



<b>Model</b>	<b>HB23AB521W</b>
<b>Design</b>	<ul style="list-style-type: none"> <li>• Double glass cool touch door (50°C door temperature)<sup>^</sup></li> <li>• Full glass inner door</li> <li>• Integrated grill element</li> <li>• Integral cooling fan</li> <li>• 5 shelf levels</li> <li>• Enamel oven interior</li> <li>• Mechanical rotary knobs</li> </ul>
<b>Key Feature</b>	Rapid heat function
<b>Programmes/ Additional Features</b>	<ul style="list-style-type: none"> <li>• 5 Cooking Methods                             <ul style="list-style-type: none"> <li>- Conventional (top/bottom heating)</li> <li>- Bottom heating</li> <li>- 3D hot air</li> <li>- Hot air grilling</li> <li>- Radiant grill large area</li> </ul> </li> <li>• Digital electronic clock with on/off and alarm function</li> <li>• Childproof lock</li> </ul>
<b>Technical Information</b>	<ul style="list-style-type: none"> <li>• Capacity: 67L<sup>#</sup></li> <li>• Heating temperature: 270°C maximum</li> <li>• Total connected load: 2.85kW (20A single phase connection)</li> <li>• Energy class: A-20%</li> </ul>
<b>Appliance Dimensions (H x W x D)</b>	595 x 595 x 548mm
<b>Cavity Dimensions (H x W x D)</b>	329 x 482 x 420mm
<b>Supplied Accessories</b>	<ul style="list-style-type: none"> <li>• 1 universal pan</li> <li>• 1 combination grid</li> </ul>
<b>Optional Accessory</b>	3-level full extension telescopic rails with stop function (HZ338357)
<b>Country of Origin</b>	Greece
<b>Expert Services</b>	<ul style="list-style-type: none"> <li>• Product consultation with unlimited product hotline inquiry</li> <li>• Kitchen planning consultation with pre-installation site measurement</li> <li>• Professional installation</li> </ul>
<b>Price</b>	<b>HK\$10,800</b>

<sup>^</sup> Measured at the middle of the window at 180°C oven temperature, after 1 hour on top and bottom heat.  
<sup>#</sup> Measured in accordance with EN 50304:2009



\* 20mm for metal fascias  
 Measurements in mm